

Installation guide

Kiosk 32

Version 1.0 English



COPYRIGHT

This manual is protected by international laws on copyright. It is strictly forbidden to reproduce, distribute, translate or transmit in any form or by any means, electronic or mechanical, including photocopying, recording or storing in a storage and retrieval system, any part of this document without prior consent of iNUI Studio SA.

Copyright © 2021-2023 · iNUI Studio SA.

BRANDS

AIR TOUCH® and AIRxTOUCH® brands and logos are the exclusive property of iNUI Studio SA.

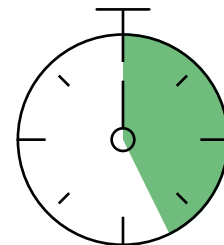
All other trademarks and copyrights are the property of their respective owners.

STAFF



2 persons

DURATION



25 minutes

PRECAUTIONS

Before using this product, please read the safety precautions to avoid any injury to yourself or others, or damage to the unit. Do not open or disassemble the unit, no element is useable inside. Refer servicing to qualified staff.

WARNINGS TO PREVENT PRODUCT FAILURE, PERSONAL INJURY, ELECTRICAL SHOCK, FIRE AND EXPLOSION INSTALLATION AND SAFETY.

1. AIRxTOUCH® KIOSK is designed for indoor use only.
2. Do not install the appliance or power cord near a source of heat or cold.
3. Do not install the unit in an unventilated space. An increase in temperature could cause a fire.
4. Make sure of the solidity of your surface.
5. Do not install the machine on an unstable or vibrating surface (loft loose, slope surface, etc.). The product may fall and be damaged and /or occur damage.
6. Do no install the unit in a location exposed to dust, moisture, oil or smoke.
7. Do not drop the appliance while moving. Failure of the product or injury may occur.
8. Do not place the appliance on its forehead. The product can be damaged. Place the appliance gently. Failure of the product or injury may occur.
9. The installation of the device in an unusual place (a place exposed to a lot of fine particles, chemicals or extreme temperatures where the device must operate continuously for a long period of time) can seriously affect its performance. Be sure to consult the AIRxTOUCH® Customer Service center if you want to install the device in such a place.
10. Do not use the device near a flashing environment (light) to avoid interference.
11. An alteration of the performances can be noticed in some very specific cases with white and highly reflective floor. (e.g. white glossy marble floor) and harsh sun light directly hitting the floor just in front of the system (e.g. glass ceiling). To fix this particular configuration, a matte floor sticker can be installed in front of the system.
12. Do not add any sticker on the Plexiglas design elements and/or on the interior surface of the frame. It could generates an alteration of the performances.
13. Do not store your device near magnetic fields. A device failure may occur.

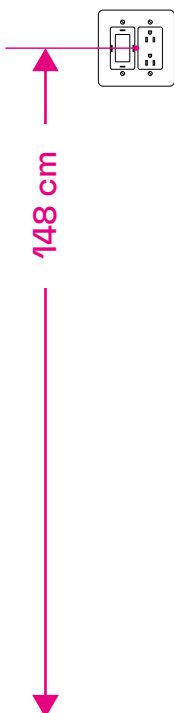
WALL INSTALLATION

1 POWER SUPPLY

POSITION: BEHIND THE KIOSK

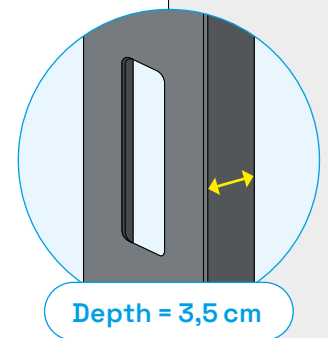
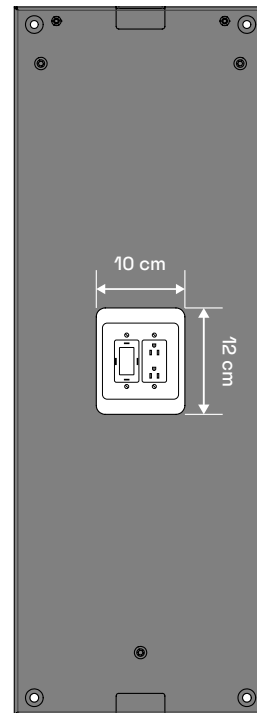
Neat installation, hidden power outlet.

Instruction · The middle of the electrical socket to be installed at a distance of 148 cm from the floor.



Floor

Instruction · The electrical socket is accessible via the aperture on the wall mount. For easier access, you can place the socket slightly higher up.

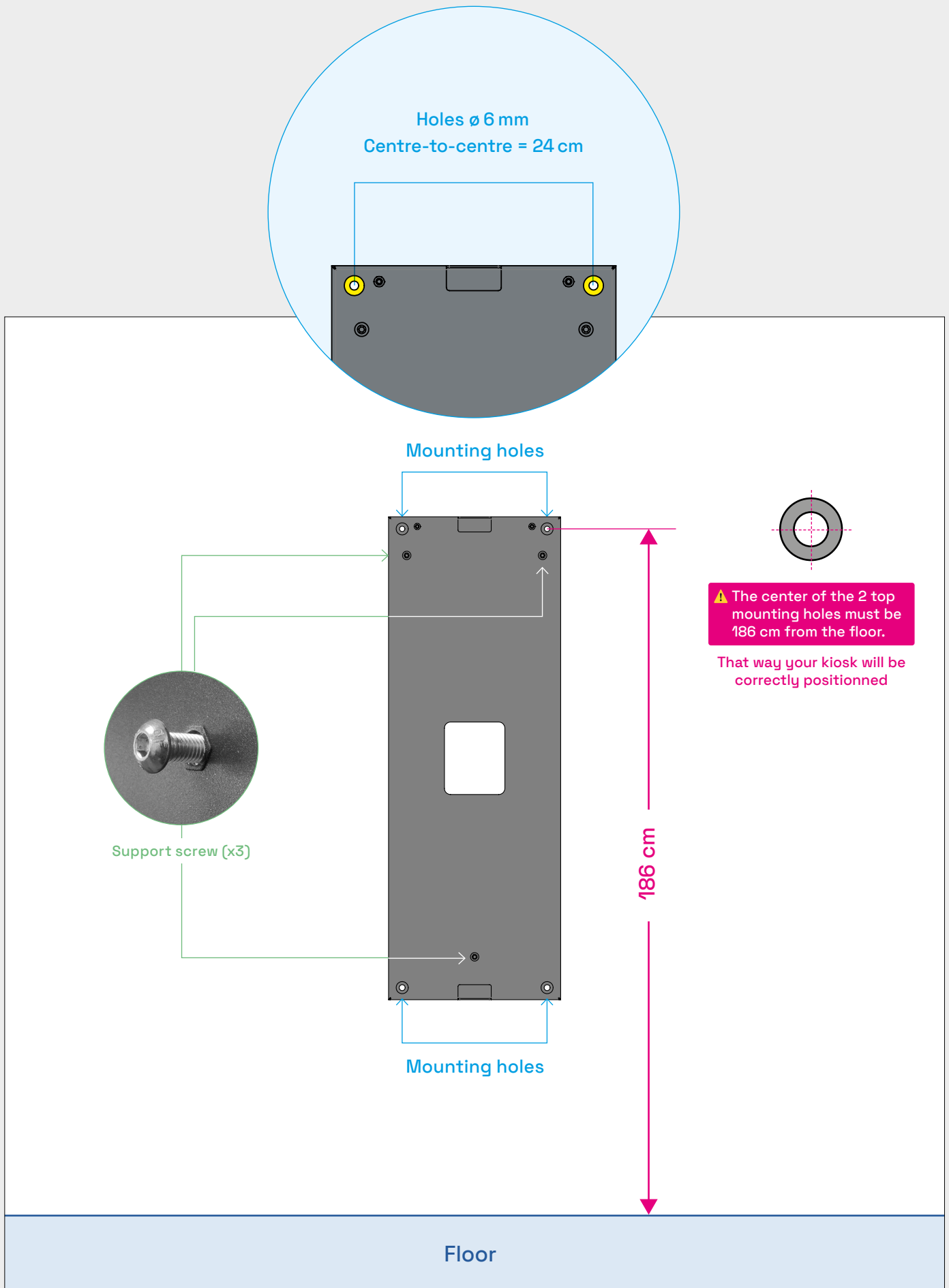


Floor

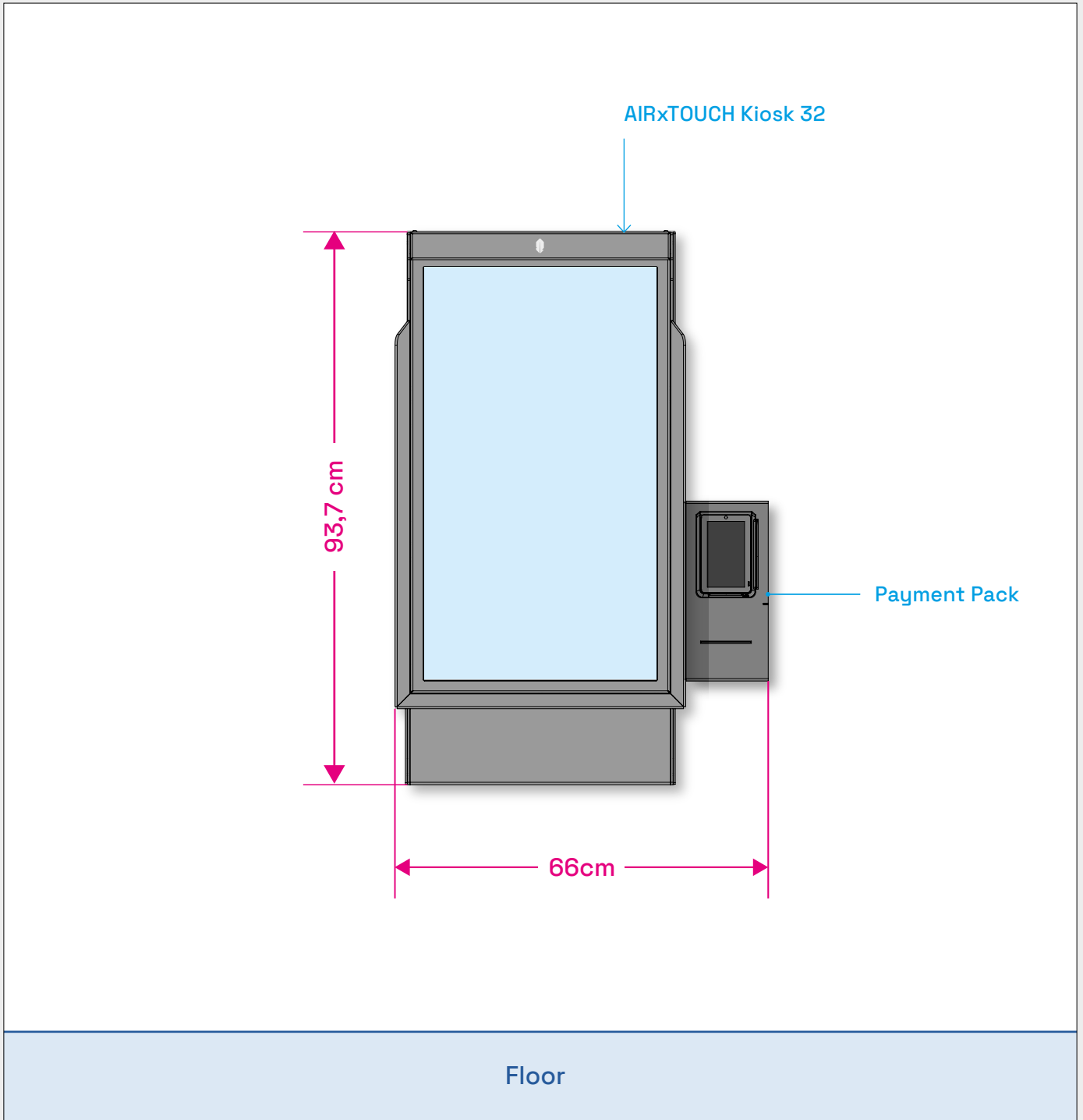
TIP · We recommend using an angled ethernet cable.



2 WALL MOUNT



3 THE RESULT



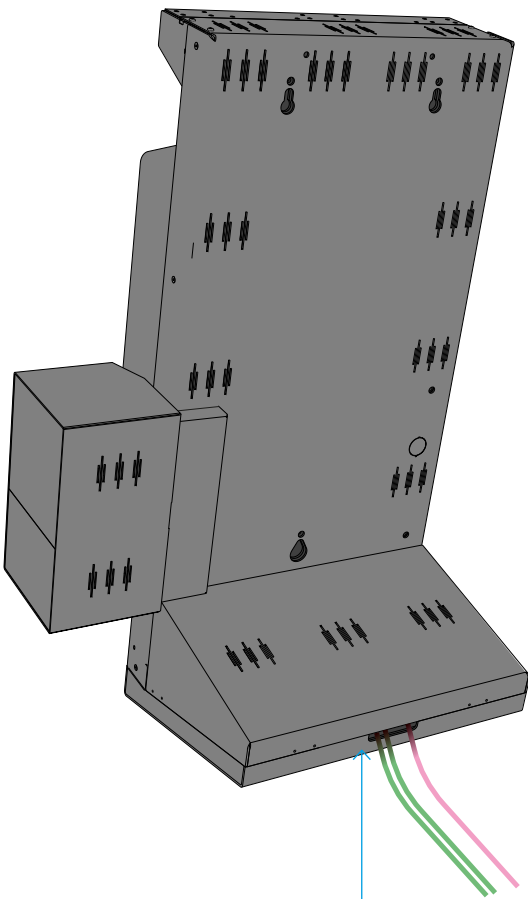
COUNTERTOP INSTALLATION

1 POWER SUPPLY

When the kiosk is installed on your countertop, you have **2 ways of connecting** it: either the power cable simply comes out the back of the system, or it passes through the countertop.

METHOD 1 OUT THE BACK OF THE KIOSK

The simplest method. Visible and accessible alimentation cable.

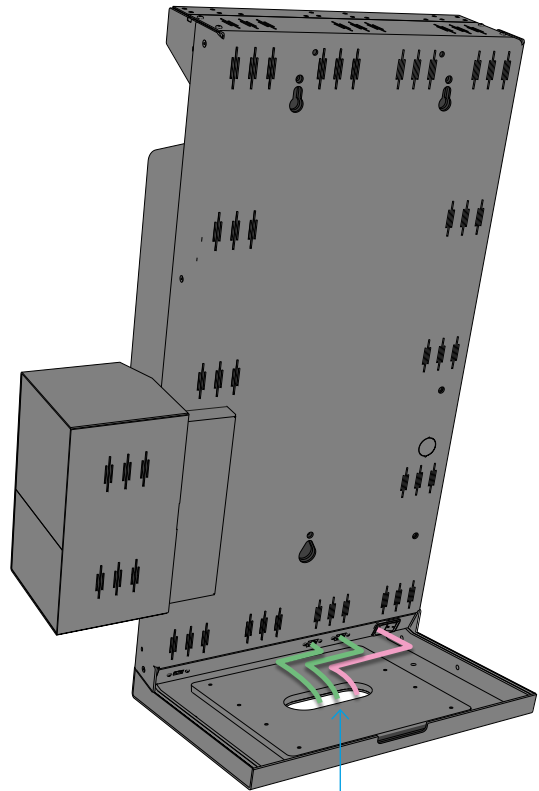


A cut-out is provided for the cables to escape: RJ45 cables (x2) + alim cable (x1)

OR

METHOD 2 THROUGH THE COUNTERTOP

Neat installation. Hidden and inaccessible alimentation cable.

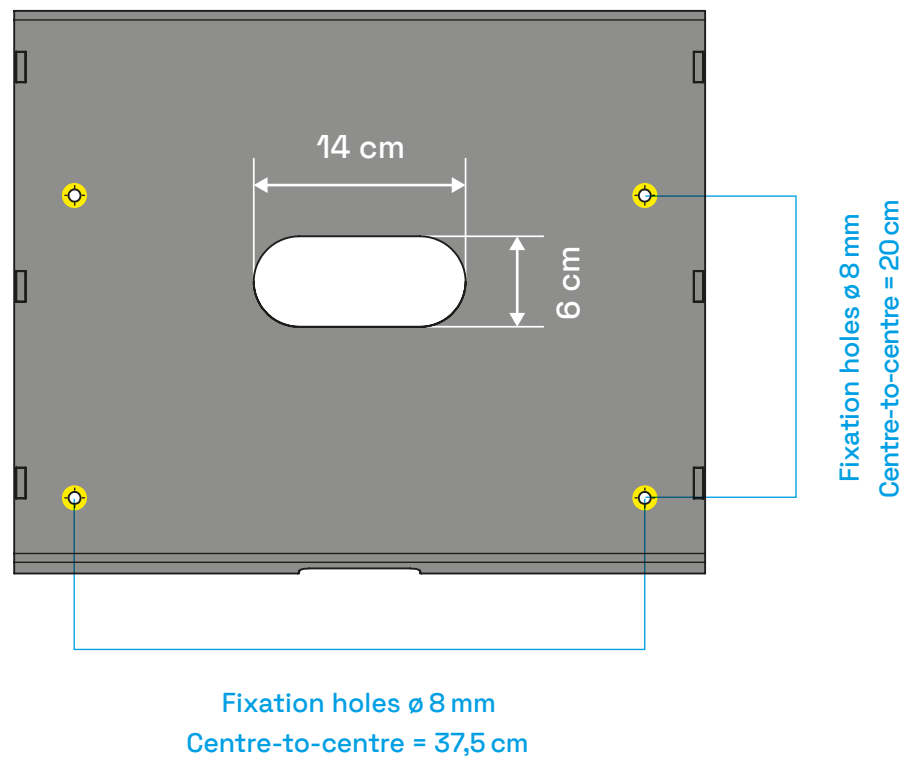


A cut-out on the base allows the cables to escape through the countertop: RJ45 cables (x2) + alim cable (x1)

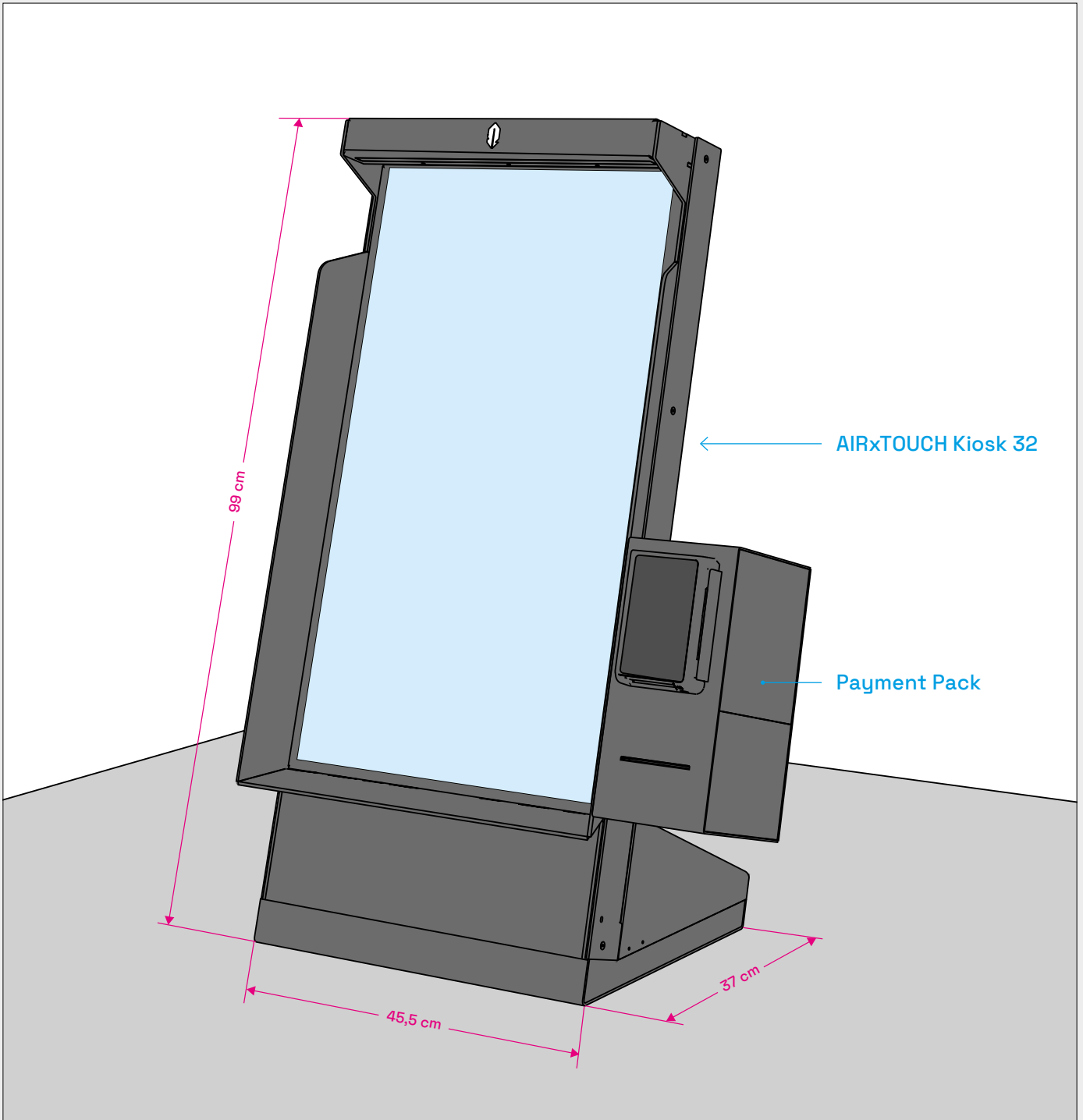
⚠ With this type of installation, you will need to cut out the countertop to allow the cable to pass through.

2 COUNTERTOP BASE

The base is designed to stabilize the kiosk on your countertop. A large opening allows cables to pass through the counter, and holes are provided for attaching the kiosk to your furniture (screws are not provided).



3 THE RESULT





AIRxTOUCH®



The Best touchless Experience on the market.